

拖輪系列產品

PULLER ATTACHMENT

HPK 包縫車用，上下輪驅動(薄至厚物長距型)
FOR OVERLOCK WITH UPPER AND LOWER ROLLER (Thin to very thick material)



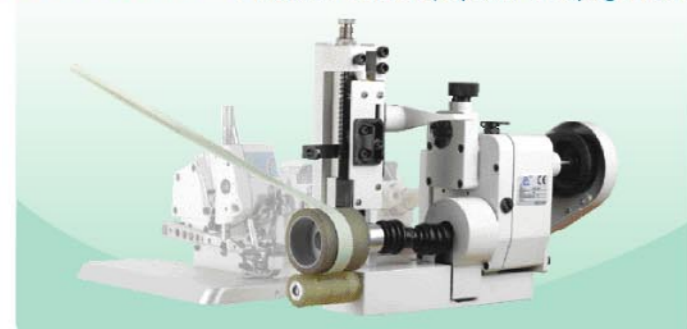
LxWxH: 365x365x300 mm N.W./G.W.: 10 / 11.5 kgs

- 適用於薄至極厚物的直線縫製。
Suitable for thin to extremely thick materials in straight sewing.
- 上輪：直徑 55 mm，寬度 15 / 35 / 50 mm
下輪：直徑 27 mm，寬度 60 mm
Upper roller : Diameter 55 mm, Width 15 / 35 / 50 mm
Lower roller : Diameter 27 mm, Width 60 mm

● 下沉式
Submerged type



HPK-SP 前拉式(義大利麵專用)
FRONT PULLER (Special for spaghetti sewing)



LxWxH: 450x274x193 mm N.W./G.W.: 6.3 / 9 kgs

- 上輪：直徑 55 mm，寬度 15 / 35 / 50 mm
下輪：直徑 27 mm，寬度 60 mm
Upper roller : Diameter 55 mm, Width 15 / 35 / 50 mm
Lower roller : Diameter 27 mm, Width 60 mm

HPG 包縫車用，小輪(薄物用)
FOR OVERLOCK WITH SMALL ROLLER
(For thin material)



LxWxH: 365x365x300 mm N.W./G.W.: 7 / 8 kgs

- 本拖輪不能裝在附有水平或垂直式自動切線裝置的包縫車上。
This puller unable to install onto overlock machine with either vertical or horizontal automatic thread-chain cutter.

HPG系列所需要的基本空間

Space Limitation For HPG Series:

JUKI MO 3000,6000	SERIES
PEGASUS EX,MX,M	SERIES
BROTHER N,V	SERIES
YAMATO AZ 8000,6000	SERIES
SIRUBA 757H	SERIES



HPR 包縫車用，皮帶後送(薄物用)
FOR OVERLOCK WITH REAR DRIVE BELT
(For thin material)



- 不受空間限制，各種廠牌機型均可安裝。
Suitable for every machine without space limitation.
- 獨特設計，皮帶與車針距離超近
Close proximity of rear drive belt and needle improves sewing performance.
- 適用於柔軟光滑、易皺的薄物
Suitable for silky and easy-pucker thin materials.



機械式鬆緊帶調節裝置

MECHANICAL METERING DEVICE FOR ELASTIC TAPE

HMDK-61 包縫車專用型(基座固定於機頭上方)
FOR SPECIFIC OVERLOCK
(Base is mounted on the machine head)



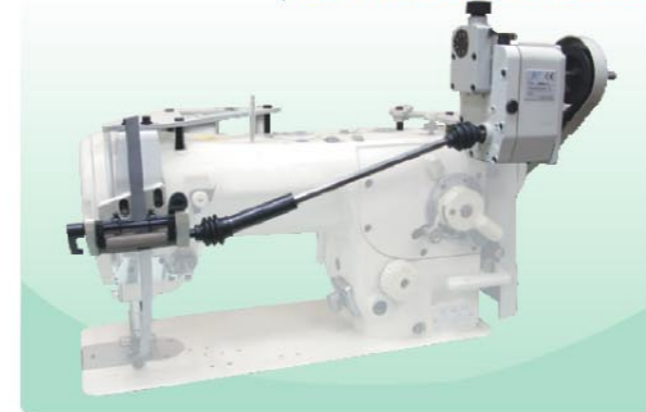
送帶寬度 Feeding width: 70 mm
LxWxH: 450x274x193 mm N.W./G.W.: 5.3 / 6.1 kgs

HMDK-60 包縫車專用型(基座固定於車板上)
FOR SPECIFIC OVERLOCK
(Base is mounted on the table)



送帶寬度 Feeding width: 70 mm
LxWxH: 450x274x193 mm N.W./G.W.: 6 / 7 kgs

HMDL-31 千鳥車專用型(基座固定於機頭上)
FOR SPECIFIC ZIG-ZAG
(Base is mounted on the machine head.)



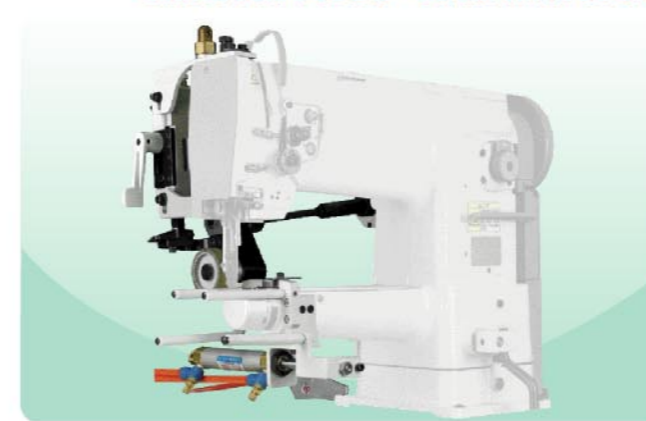
送帶寬度 Feeding width: 50 mm
LxWxH: 450x274x193 mm N.W./G.W.: 6.3 / 7.5 kgs

HMDL-30 千鳥車專用型(基座固定於車板上)
FOR SPECIFIC ZIG-ZAG
(Base is mounted on the table.)



送帶寬度 Feeding width: 50 mm
LxWxH: 450x274x193 mm N.W./G.W.: 6.3 / 7.5 kgs

HCS 袖口縫製輔助裝置(筒型車適用，如JUKI DSC-246、金輪CS-8703)
Rear Puller with Pneumatic roller tensioner (For Cylinder-Bed machines ,
such as JUKI DSC-246、Golden-Wheel CS-8703)



LxWxH: 450x274x193 mm N.W./G.W.: 1.5 / 3 kgs

- 以滑軌式的氣動裝置(附壓力表)可配合袖口、褲管等物料之不同大小可調節自如，並因滾輪軸之固定作用使縫製作業更為輕鬆，能有效減少不良品的消耗進而提升產能。
The roller tensioner is governed by air gauge thus the tension as well as the tubular circumference of different material can be adjusted easily to increase productivity and reduce waste.



● 搭配拉布輪組
To be used with rear puller
● 滾軸行程最小範圍3英寸
Minimum tubular circumference is 3" (75 mm)



● 可不加裝拖輪組
Rear puller is eliminated
● 滾軸行程最大範圍6英寸
Maximum tubular circumference is 6" (150 mm)