

# 拖輪系列產品

## PULLER ATTACHMENT

**HPK** 包縫車用，上下輪驅動(薄至厚物長距型)  
FOR OVERLOCK WITH UPPER AND LOWER ROLLER (Thin to very thick material)



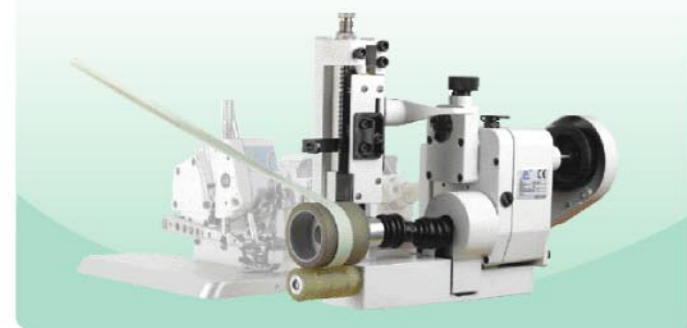
LxWxH: 365x365x300 mm N.W./G.W.: 10 / 11.5 kgs

- 適用於薄至極厚物的直線縫製。  
Suitable for thin to extremely thick materials in straight sewing.
- 上輪：直徑 55 mm，寬度 15 / 35 / 50 mm  
下輪：直徑 27 mm，寬度 60 mm  
Upper roller : Diameter 55 mm, Width 15 / 35 / 50 mm  
Lower roller : Diameter 27 mm, Width 60 mm

● 下沉式  
Submerged type



**HPK-SP** 前拉式(義大利麵專用)  
FRONT PULLER ( Special for spaghetti sewing)



LxWxH: 450x274x193 mm N.W./G.W.: 6.3 / 9 kgs

- 上輪：直徑 55 mm，寬度 15 / 35 / 50 mm  
下輪：直徑 27 mm，寬度 60 mm  
Upper roller : Diameter 55 mm, Width 15 / 35 / 50 mm  
Lower roller : Diameter 27 mm, Width 60 mm

**HPG** 包縫車用，小輪 (薄物用)  
FOR OVERLOCK WITH SMALL ROLLER  
(For thin material)



LxWxH: 365x365x300 mm N.W./G.W.: 7 / 8 kgs

- 本拖輪不能裝在附有水平或垂直式自動切線裝置的包縫車上。  
This puller unable to install onto overlock machine with either vertical or horizontal automatic thread-chain cutter.

HPG系列所需要的基本空間

Space Limitation For HPG Series:

JUKI MO 3000,6000	SERIES
PEGASUS EX,MX,M	SERIES
BROTHER N,V	SERIES
YAMATO AZ 8000,6000	SERIES
SIRUBA 757H	SERIES



**HPR** 包縫車用，皮帶後送(薄物用)  
FOR OVERLOCK WITH REAR DRIVE BELT  
(For thin material)



- 不受空間限制，各種廠牌機型均可安裝。  
Suitable for every machine without space limitation.
- 獨特設計，皮帶與車針距離超近  
Close proximity of rear drive belt and needle improves sewing performance.
- 適用於柔軟光滑、易皺的薄物  
Suitable for silky and easy-pucker thin materials.



# 機械式鬆緊帶調節裝置

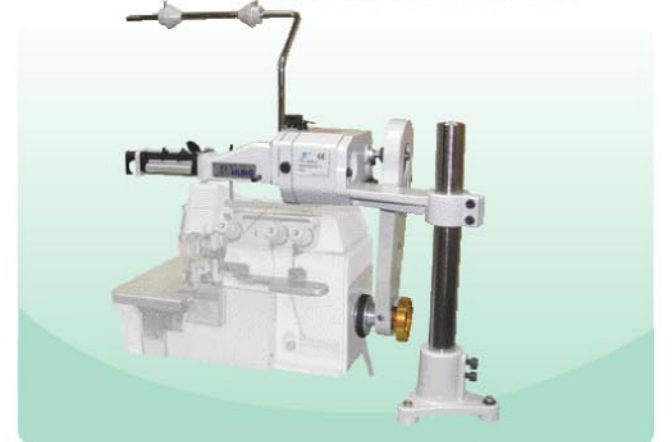
## MECHANICAL METERING DEVICE FOR ELASTIC TAPE

**HMDK-61** 包縫車專用型(基座固定於機頭上方)  
FOR SPECIFIC OVERLOCK  
(Base is mounted on the machine head)



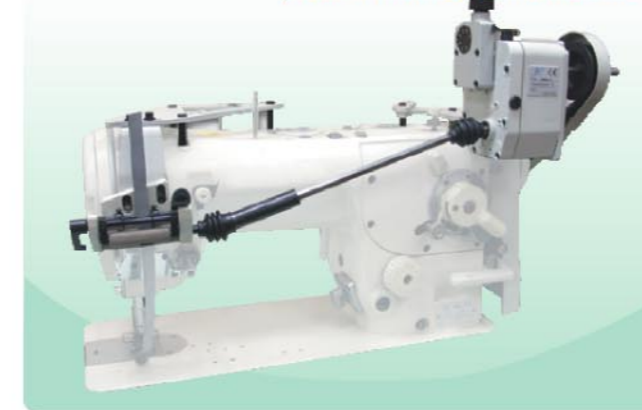
送帶寬度 Feeding width: 70 mm  
LxWxH: 450x274x193 mm N.W./G.W.: 5.3 / 6.1 kgs

**HMDK-60** 包縫車專用型(基座固定於車板上)  
FOR SPECIFIC OVERLOCK  
(Base is mounted on the table)



送帶寬度 Feeding width: 70 mm  
LxWxH: 450x274x193 mm N.W./G.W.: 6 / 7 kgs

**HMDL-31** 千鳥車專用型(基座固定於機頭上)  
FOR SPECIFIC ZIG-ZAG  
(Base is mounted on the machine head.)



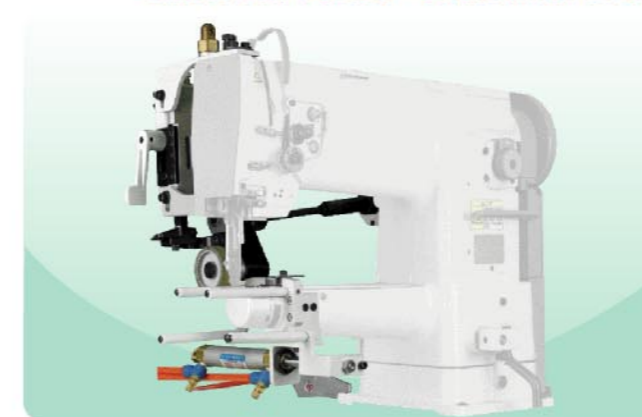
送帶寬度 Feeding width: 50 mm  
LxWxH: 450x274x193 mm N.W./G.W.: 6.3 / 7.5 kgs

**HMDL-30** 千鳥車專用型(基座固定於車板上)  
FOR SPECIFIC ZIG-ZAG  
(Base is mounted on the table.)



送帶寬度 Feeding width: 50 mm  
LxWxH: 450x274x193 mm N.W./G.W.: 6.3 / 7.5 kgs

**HCS** 袖口縫製輔助裝置(筒型車適用，如JUKI DSC-246、金輪CS-8703)  
Rear Puller with Pneumatic roller tensioner (For Cylinder-Bed machines ,  
such as JUKI DSC-246、Golden-Wheel CS-8703)



LxWxH: 450x274x193 mm N.W./G.W.: 1.5 / 3 kgs

- 以滑軌式的氣動裝置(附壓力表)可配合袖口、褲管等物料之不同大小可調節自如，並因滾輪軸之固定作用使縫製作業更為輕鬆，能有效減少不良品的消耗進而提升產能。  
The roller tensioner is governed by air gauge thus the tension as well as the tubular circumference of different material can be adjusted easily to increase productivity and reduce waste.



● 搭配拉布輪組  
To be used with rear puller  
● 滾軸行程最小範圍3英寸  
Minimum tubular circumference is 3" (75 mm)



● 可不加裝拖輪組  
Rear puller is eliminated  
● 滾軸行程最大範圍6英寸  
Maximum tubular circumference is 6" (150 mm)